

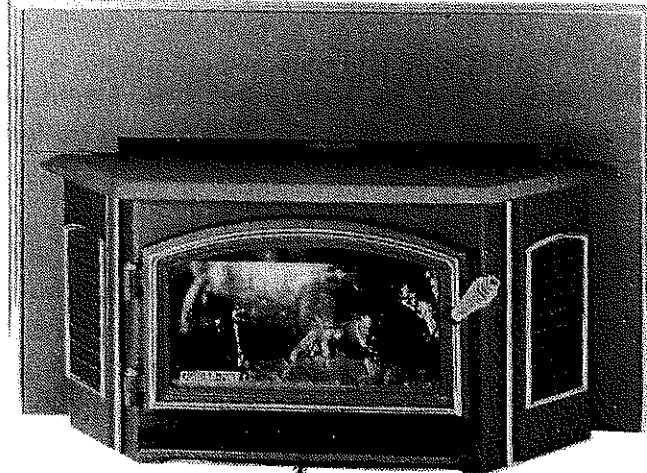
# QUADRA-FIRE

*North America's Best*

## Installation, Operation, and Maintenance Instructions Model: Quadra-Fire 1800-I

*Clean Air*

*We Care*



Also Available in French  
Ask Your Dealer

Nous Avons Aussi Le Manuel en Francais.  
Demandez à Votre Vendeur

**CONGRATULATION --** You are now the proud owner of one of the finest inserts in the world for your home -- the **QUADRA-FIRE.**

Now, before installing your insert and building your first fire -- record the serial number on the warranty card.

### PLEASE READ ALL OF THE OWNERS MANUAL AND SAFETY NOTES.

#### IMPORTANT SAFETY NOTES:

1. When installing your stove, particular attention should be paid to fire protection. If this unit is not properly installed, a house fire may result. For your safety, follow the installation instructions and contact local building or fire officials about restrictions and installation inspection requirements in your area.
2. Never use gasoline or similar liquids to start a fire in this unit. Keep all such liquids well away from stove.
3. During operation, if any part of the stove starts to glow, the stove is in an overfired condition. Close the air controls completely until the glowing has stopped. **OVERFIRING VOIDS WARRANTY.**
4. Cool ashes should be disposed of carefully - using a metal container.
5. Do not burn wet or green wood. Store wood in dry location.
6. Do not burn garbage, treated wood, or wood with salt (driftwood, etc.).
7. Do not permit creosote or soot to accumulate excessively in the chimney or inside the firebox.
8. Check your chimney system thoroughly when installing into an existing metal or masonry chimney. Seek professional advice if in doubt about its condition.
9. Do not connect this unit to a chimney flue already serving another appliance.
10. Comply with all minimum clearances to combustibles as shown in this manual.
11. Build fire on brick firebox floor -- **Do not use grates, and irons or other method to support fuel.**
12. Hot while in operation. Keep children, clothing and furniture away. Contact can cause skin burns.
13. Do not connect to any air distribution duct or system.

# ALADDIK

ALADDIN STEEL PRODUCTS, INC.

401 N. WYNNE

COLVILLE, WASHINGTON 99114

**SAVE THESE INSTRUCTIONS**

# TABLE OF CONTENTS

	Page
Safety Notes .....	1
Installation .....	3 & 4
Drawings With Dimensions .....	4
Clearances To Combustibles .....	5
Installation Of Top And Side Panels .....	5
Installation Into A Masonry Chimney .....	6
Sample Installation Starter Pipe With Metal Heat Exchanger .....	7
Sample Installation Direct-Connect With Masonry Fireplace .....	8
Install Into A Factory-Built Zero Clearance .....	10
Optional Component Parts .....	11
Door Handle Assembly .....	12
Glass Replacement .....	12
Brick Patterns .....	13
Maintenance Instructions .....	13
Creosote .....	13
I Formation And Need For Removal .....	13
II Inspection And Removal .....	13
Operation Of Insert .....	14
Combustion Air System .....	14
Fan Operating Instructions .....	14
Operating Tips .....	14
Summary Of Operating Instructions .....	15
Building A Fire .....	15
Care & Cleaning Of Glass & Plated Surfaces .....	16
Chimney Cleaning .....	16
Ash Removal .....	16
Firebrick .....	16
Overfiring .....	16
Wood Selection & Storage .....	17
Accessories & Replacement Parts .....	17
Baffle Removal & Installation .....	18-19
Warranty .....	20

The **Quadra-Fire 1800-I** fireplace was safety tested and is listed by Warnock Hersey INC. to UL 1482-1991 and ULC S628-M1982 for installations in masonry or listed factory-built fireplaces.

Also approved for mobile home installation in the United States. **NOTE:** The fireplace must have provisions for outside air. **WARNING: "DO NOT INSTALL IN SLEEPING ROOM" AND CAUTION: "THE STRUCTURAL INTEGRITY OF THE MOBILE HOME FLOOR, WALL AND CEILING/ROOF MUST BE MAINTAINED".**

## **INSTALLATION IN THE UNITED STATES**

### **MASONRY OR HEAT EXCHANGER**

#### **REQUIRED**

A minimum starter pipe reaching to the base of existing chimney with a face seal to prevent room air passage into chimney cavity.

#### **BETTER**

A direct connection at least to the first flue liner and seal the area below the damper to prevent room air passage into chimney cavity. (NFPA211 standards for chimneys, fireplaces and vents).

#### **BEST**

Complete relining with listed 6" chimney liner.

### **FACTORY-BUILT FIREPLACE (ZERO CLEARANCE)**

The **1800-I** is approved for installation in listed factory-built fireplaces. The factory-built chimney must meet the Type HT requirements of UL 103 or ULC S629M. (**NOTE:** Factory-built fireplace chimneys tested to UL 127-1988 are tested to the same criteria as UL 103 HT requirements.) If the chimney is not listed as meeting HT requirements (Factory-built fireplaces tested prior to 1988), a listed chimney liner must be installed from the appliance flue collar to the chimney top.

The permanent metal warning label provided must be attached to the back of the fireplace stating the fireplace may have been altered to accommodate the insert, and must be returned to original condition for use as a conventional fireplace.

A connector must extend from the insert flue collar to the flue liner and seal at the damper area or the fireplace opening. Circulating air chambers in factory-built fireplaces may not be blocked.

# INSTALLATION IN CANADA

## MASONRY, HEAT EXCHANGER OR FACTORY-BUILT FIREPLACES

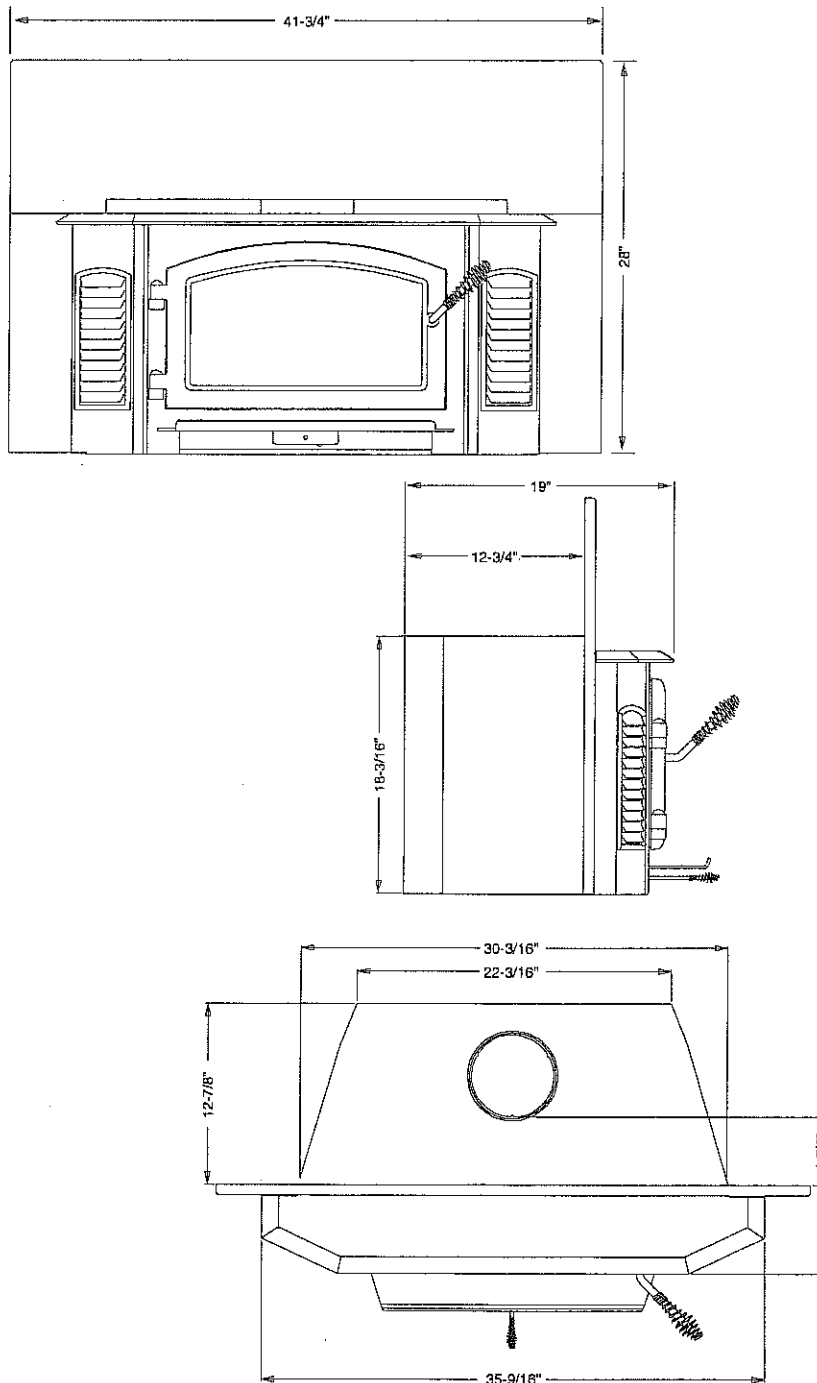
Whether installed in a masonry, heat exchanger or factory-built fireplace, a full chimney liner meeting ULC S635, CLASS III (stainless steel) must be installed from the insert to the chimney top and securely attached to both.

Do not remove bricks or mortar from fireplace to accommodate insert.

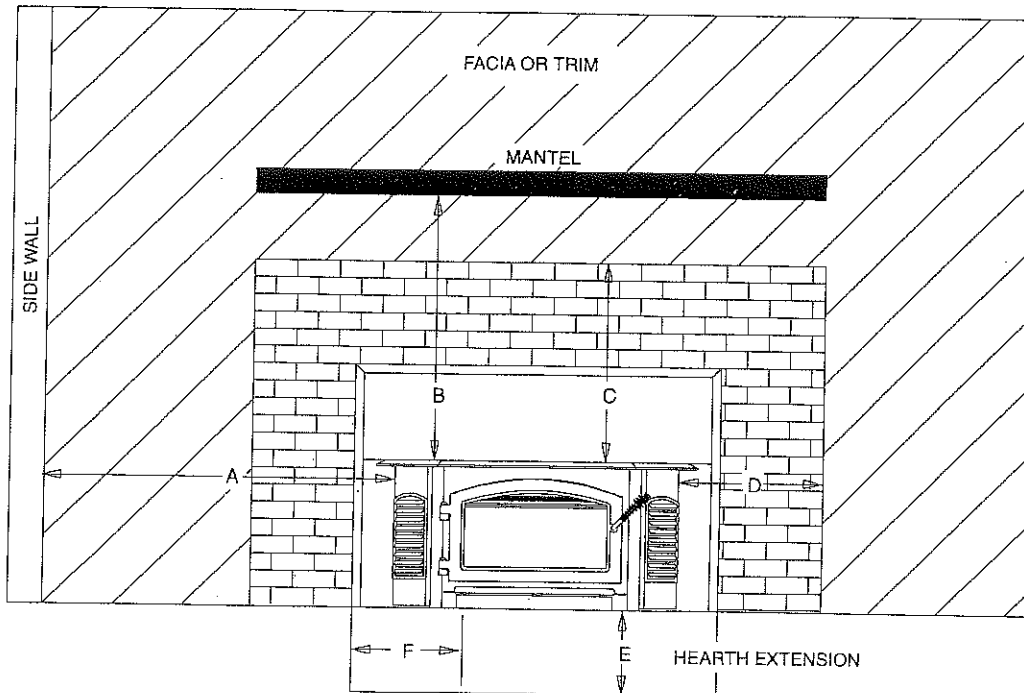
A permanent metal warning label must be affixed to the back of the fireplace stating the fireplace may have been altered to accommodate the insert, and must be returned to original condition for use as a conventional fireplace (label provided).

The face of the fireplace must be sealed to prevent room air passage into the chimney cavity.

Circulating air chambers in factory-built fireplaces may not be blocked.



# CLEARANCE TO COMBUSTIBLES



## STANDARD

Model	Installation	Dimension					
		A	B	C	D	E	F
1800-I	Masonry or Heat Exchanger	10"/250mm	32"/815mm	28"/710mm	4"/100mm	16"/405mm	8"/200mm
1800-I	Zero Clearance	10"/250mm	26"/660mm	22"/560mm	4"/100mm	16"/405mm	8"/200mm

## WITH MANTEL DEFLECTOR

Model	Installation	Dimension					
		A	B	C	D	E	F
1800-I	Masonry, Heat Exchanger and Zero Clearance	10"/250mm	18"/460mm	12"/305mm	4"/100mm	16"/405mm	8"/200mm

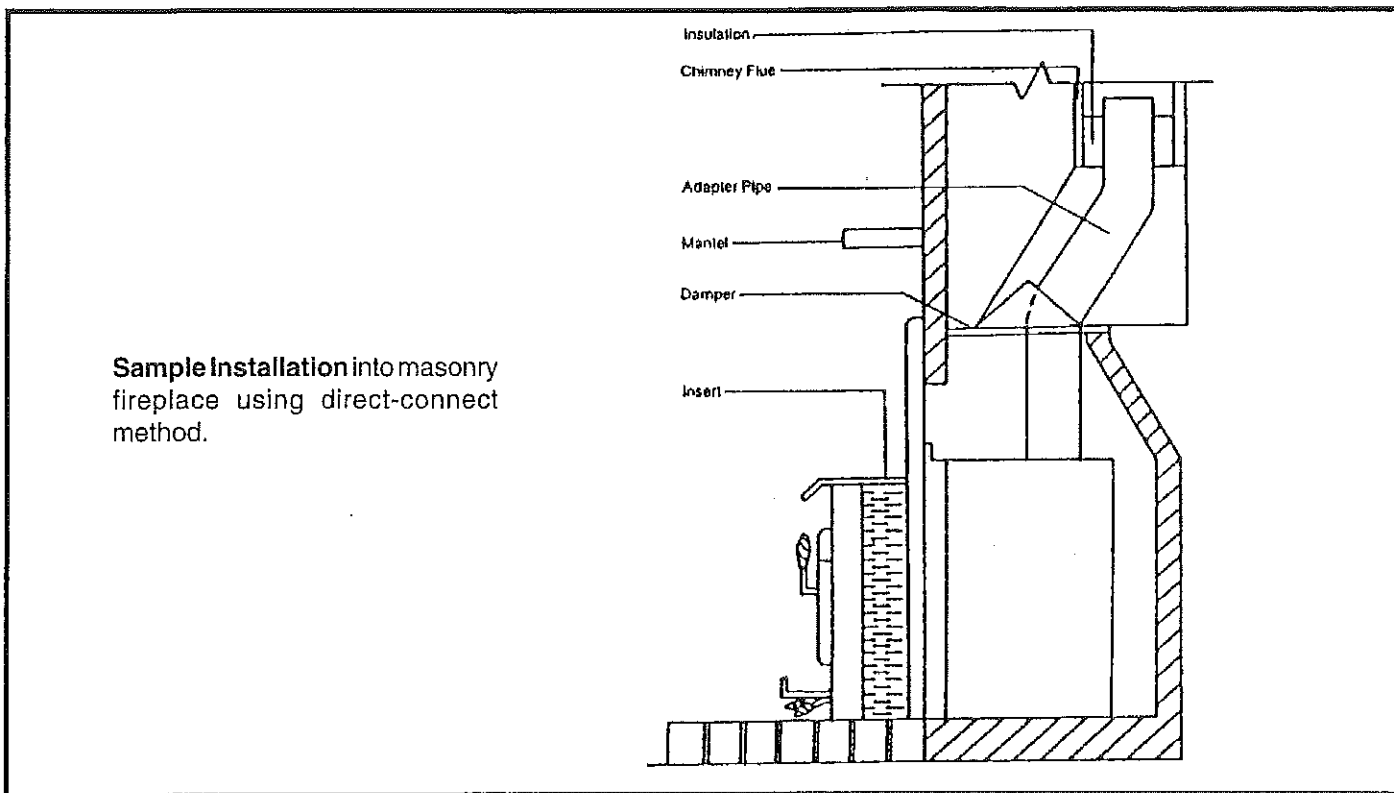
**FLOOR PROTECTION:** A non-combustible insulation with an R value > 2.2 must extend 16 in. (405 mm) in front of and 8 in. (200 mm) to each side of fuel door.

## IF LEVELING IS NECESSARY

In the event that the hearth is higher than the fireplace floor use the (2) 1/2" x 6" bolts provided. At the left and right rear of the insert are two weld nuts, run the bolts in as far as needed to level your 1800-I.

## INSTALLATION OF TOP AND SIDE PANELS

1. Remove (4) 1/4" - 20 screws from nuts attached to insert outer wall.
2. Slide side panels in front of insert outer wall and align horizontal and vertical slots and install 1/4" - 20 screws (Do not tighten).
3. Remove (2) 1/4" - 20 screws from top panel.
4. Attach top panel by means of 2 clips welded on the back side of panel.
5. Insert (2) 1/4" - 20 screws through holes in outer edges of side panels into nuts welded inside top panel. Tighten.
6. Center the panels and tighten screws holding side panels.
7. Install covers. (**NOTE:** If optional blower system was purchased refer to page 11 of the installation instructions).
8. Attach insulation strip to the outside edge of the backside of top and side panels. Use double-sided tape or a contact adhesive to hold insulation in place. (Not provided)



**Sample Installation** into masonry fireplace using direct-connect method.

## INSTALLATION INTO A MASONRY CHIMNEY

1. Secure the fireplace damper in the open position. If this cannot be accomplished it will be necessary to remove the damper.
2. The chimney should be examined for cracks, loose mortar, other signs of deterioration and blockage. The insert should not be installed until it is determined that the chimney is safe for use. Since an oversized flue contributes to the accumulation of creosote, the size of the flue should be checked to determine that it is not too large for the insert. The chimney should also be checked to assure it meets the minimum standard of the National Fire Protection Association (NFPA) Standard 211. Following is a list of the more critical requirements for a properly constructed chimney.
  - The masonry wall of the chimney, if brick or modular block, must be a minimum of 4 inches nominal thickness.
  - The chimney must have a fire clay flue liner (or equivalent) with a minimum thickness of 5/8 in. and must be installed with refractory mortar. An equivalent liner must be a listed chimney liner system or other approved material.
  - A chimney inside the house must have at least a two inch clearance to any combustible structure. A chimney outside the house must have at least a one inch clearance to any combustible structure. Fire stops must be installed at the spaces where the chimney passes through floors and/or ceilings.

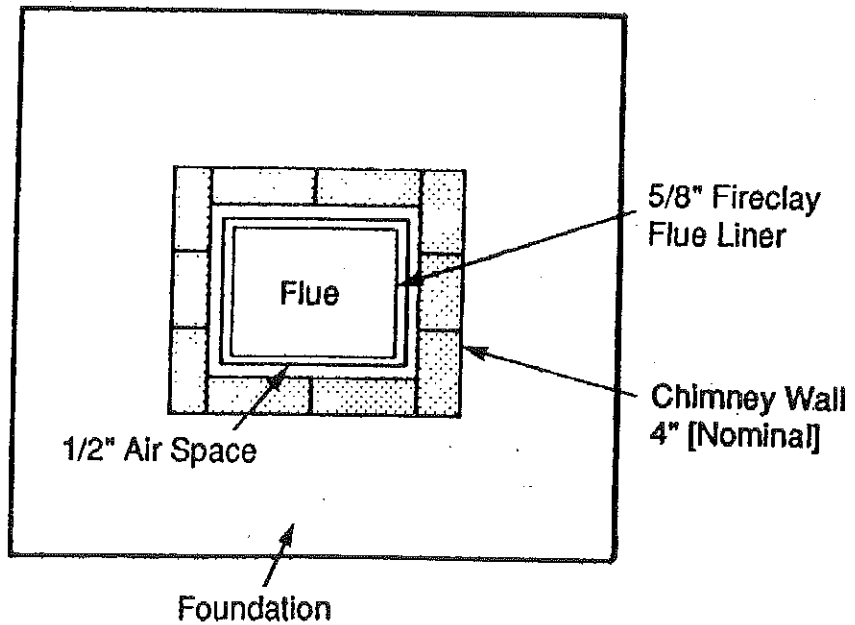
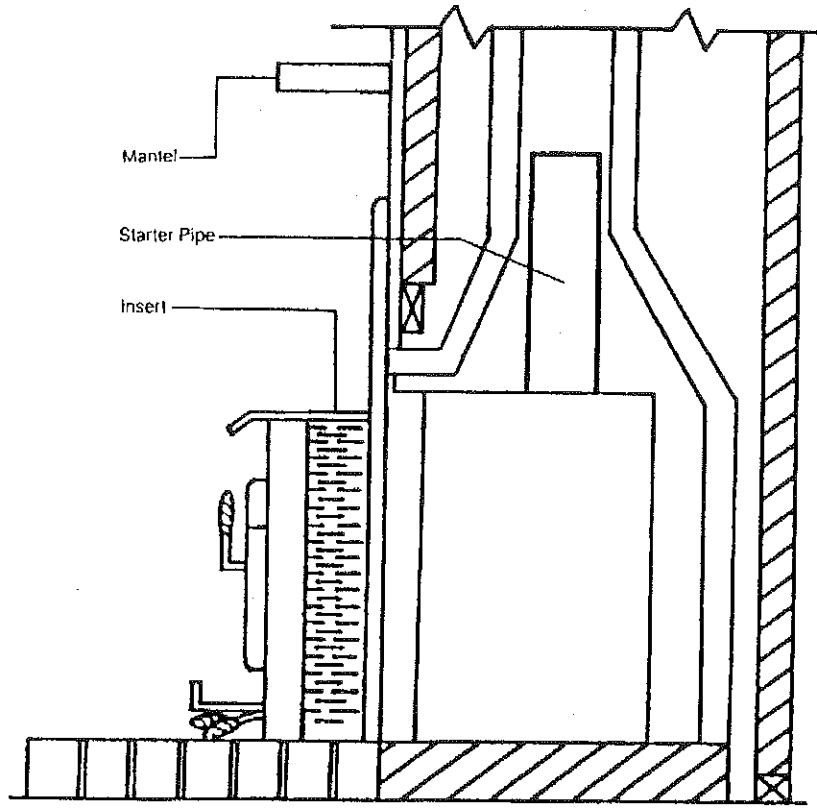
## CHIMNEY HEIGHT/DRAFT

To insure that your **Quadra-Fire** stove burns properly, the chimney draft (Static Pressure) should be approximately -0.100 in. water column (W.C.) during a high burn and -0.040 in. W.C. during a low burn, measured 6 in. above the top of the stove after one hour of operation at each burn setting.

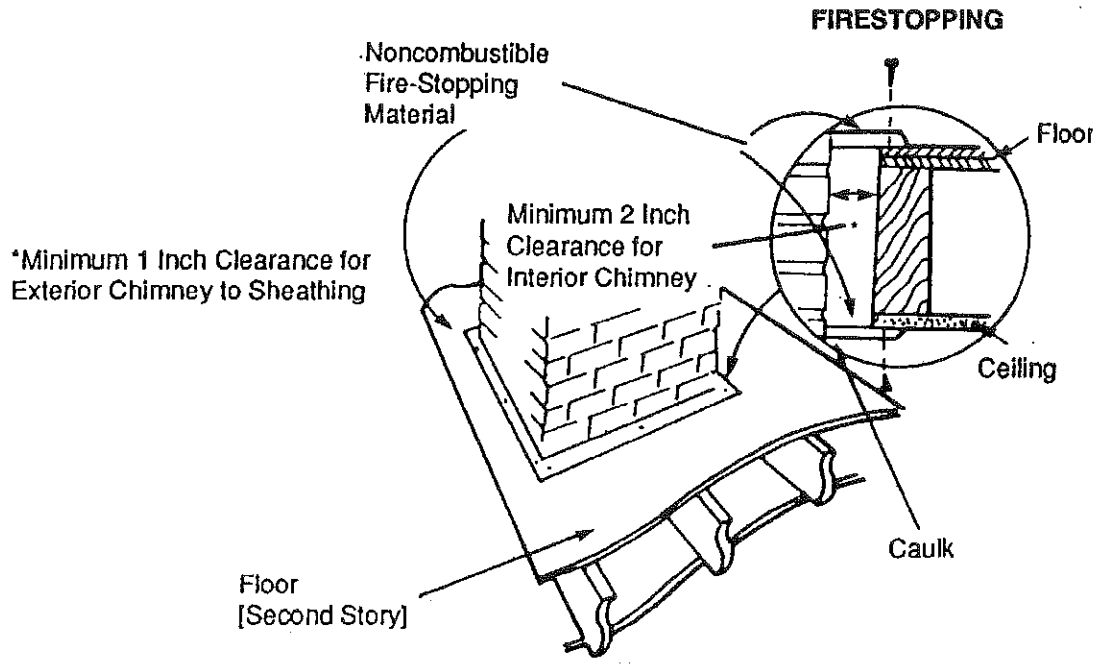
Your **Quadra-Fire** stove was designed and tested on a 6 in. chimney, 12-14 feet high, measured from the top of the stove. The further your stack height or diameter varies from this configuration, the probability of performance problems increases. In addition, exterior conditions such as roofline, surrounding trees, prevailing winds, and nearby hills can influence stove performance.

**Sample Installation**

Installation into metal heat exchanger showing use of starter pipe.

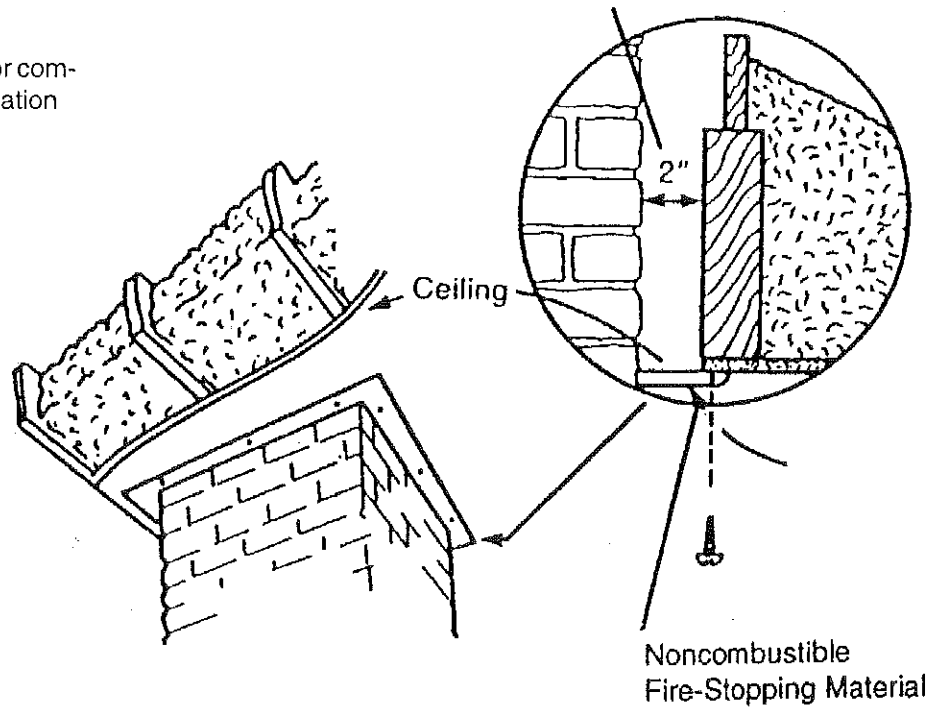


### Firestopping

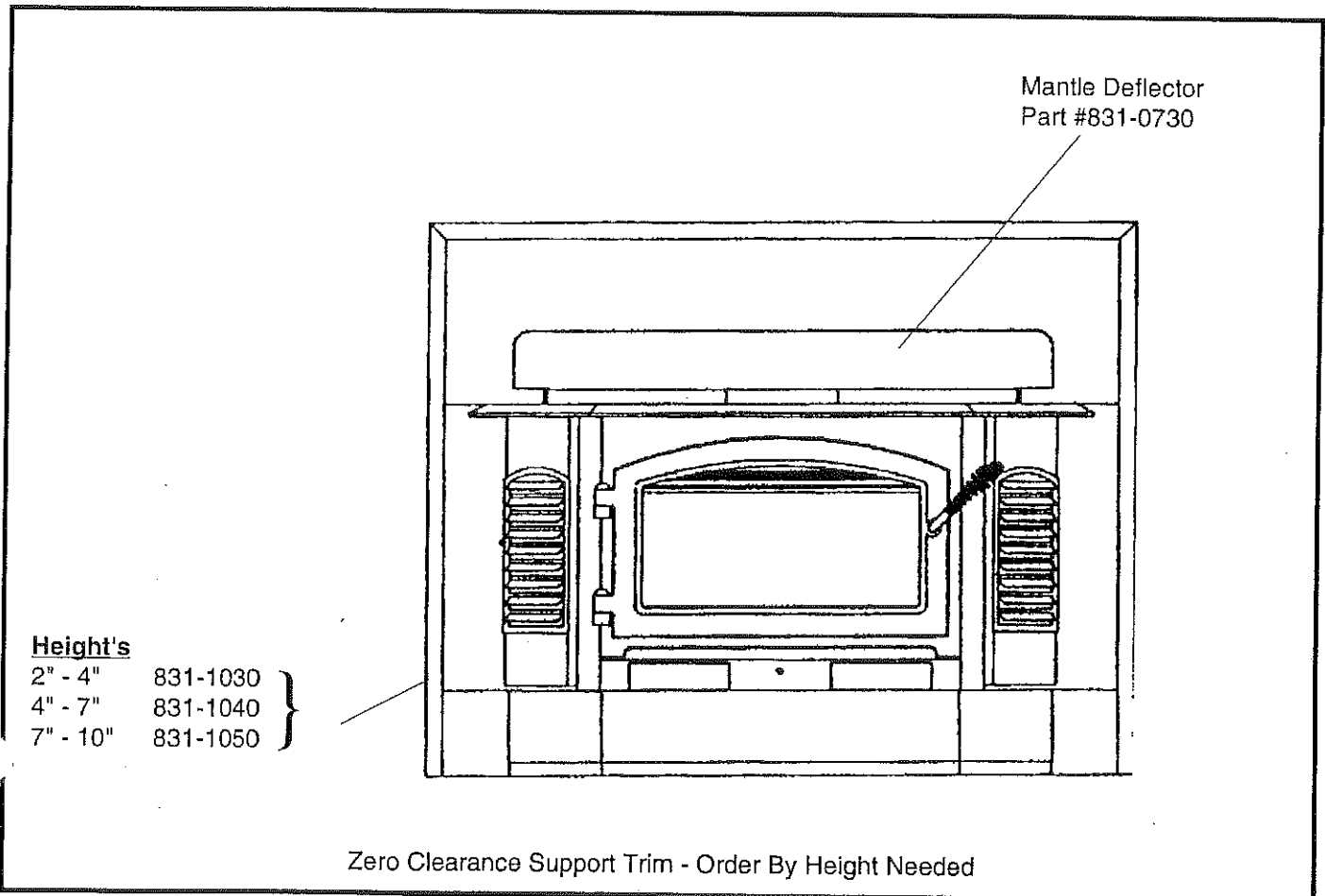
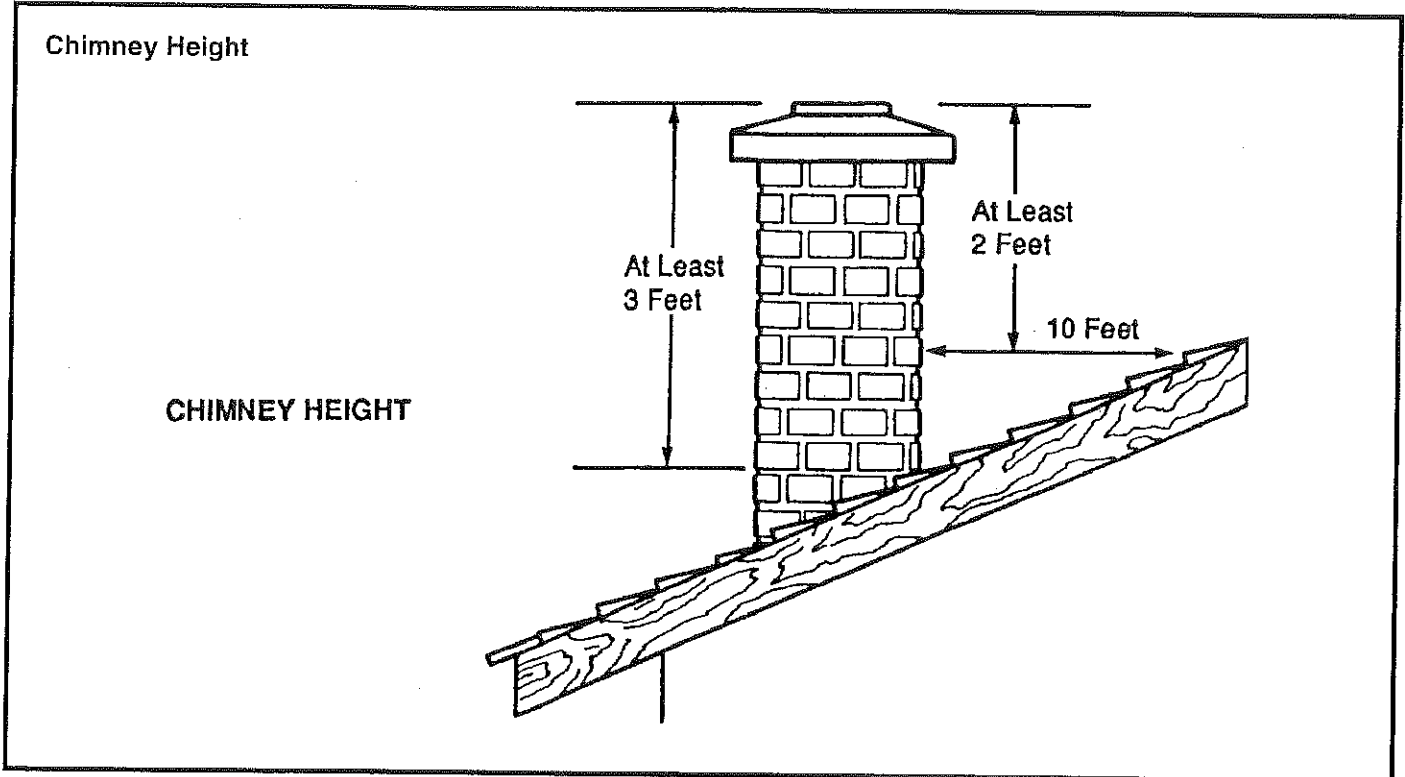


Remember that insulation must not contact the chimney. There must be air space around the chimney. Insulation must be 2 in. or more from the chimney.

Minimum 2 in. clearance for combustible material and insulation



- A chimney must be the required height above the roof or other obstruction for safety and for proper draft operation. The requirement is that the chimney must be at least 3 feet higher than the highest point where it passes through the roof and at least 2 feet higher than the highest part of the roof or structure that is within 10 ft. of the chimney, measured horizontally.



## U.S. FACTORY-BUILT FIREPLACE (ZERO CLEARANCE)

The **1800-I** is approved for installation in listed factory-built fireplaces. The factory-built chimney must meet the Type HT requirements of UL 103 or ULC S629M. (**NOTE:** Factory-built fireplace chimney tested to UI 127-1988 are tested to the same criteria as UL 103 HT requirements.) If the chimney is not listed as meeting HT requirements a listed chimney liner must be installed from the appliance flue collar to the chimney top.

The fireplace must not be altered except the damper may be removed to accommodate a direct-connect starter pipe or chimney liner.

A permanent metal warning label must be attached to the back of the fireplace stating the fireplace may have been altered to accommodate the insert, and must be returned to original condition for use as a conventional fireplace. (LABEL PROVIDED)

A connector must extend from the insert flue collar to the chimney section and seal the fireplace opening or a direct connect at the chimney throat or damper area. Circulating air chambers in factory-built fireplaces may not be blocked.

## INSTALLATION IN CANADA

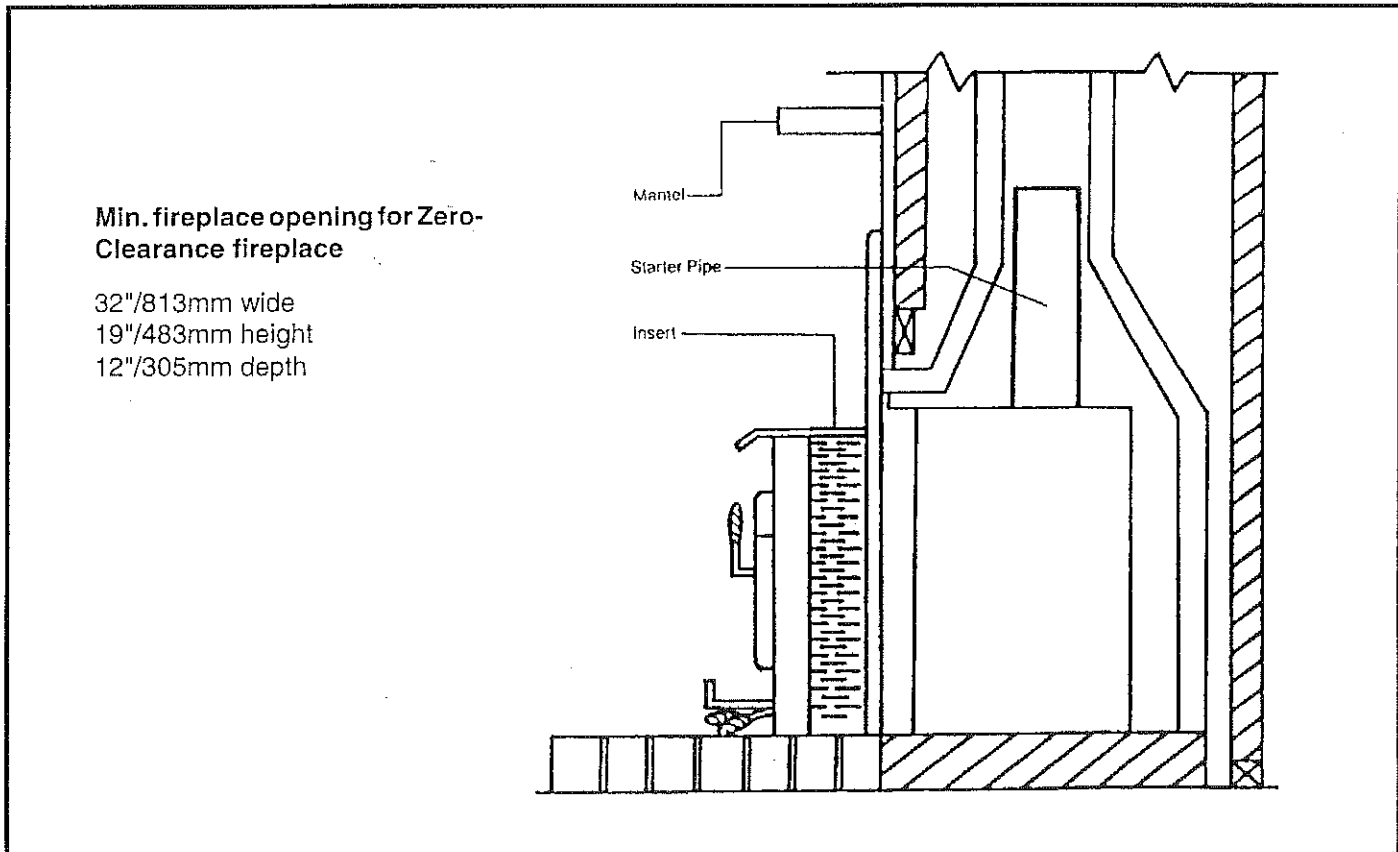
A full chimney liner meeting ULC S635 - CLASS II (stainless steel) must be installed from the insert to the chimney top and securely attached to both.

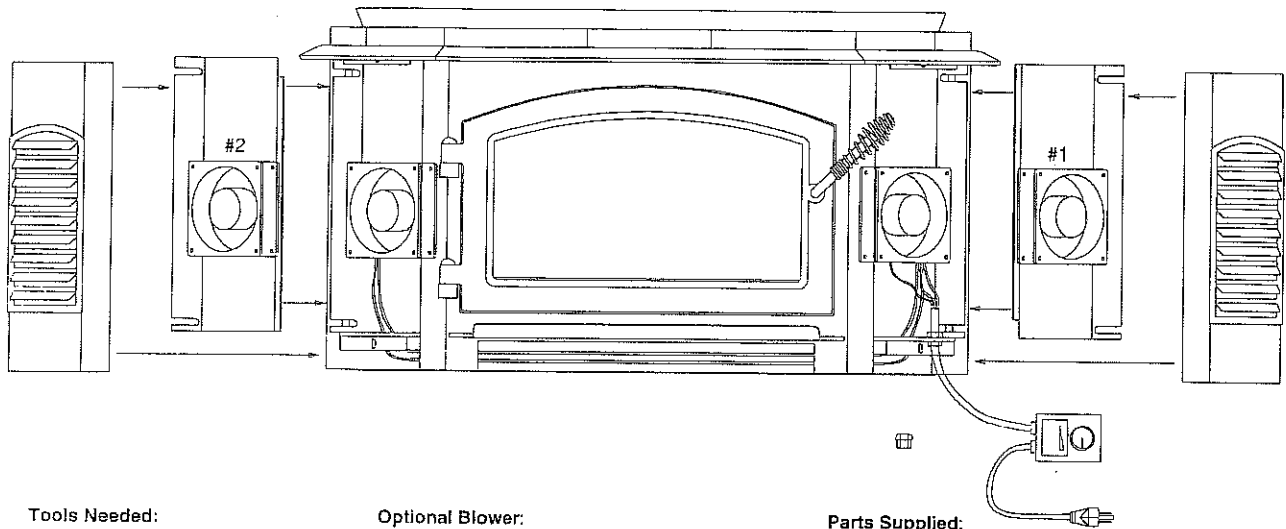
Do not remove bricks or mortar from fireplace to accommodate insert.

A permanent metal warning label must be attached to the back of the fireplace stating the fireplace may have been altered to accommodate the insert, and must be returned to original condition for use as a conventional fireplace.

The face of the fireplace must be sealed to prevent room air passage to chimney cavity.

Circulating air chambers in factory-built fireplaces may not be blocked.





**Tools Needed:**  
Large Phillips screwdriver  
Pair of pliers

**Optional Blower:**  
Order #831-1220 in the event of failure. Replace blower only through your Quadra-Fire dealer.

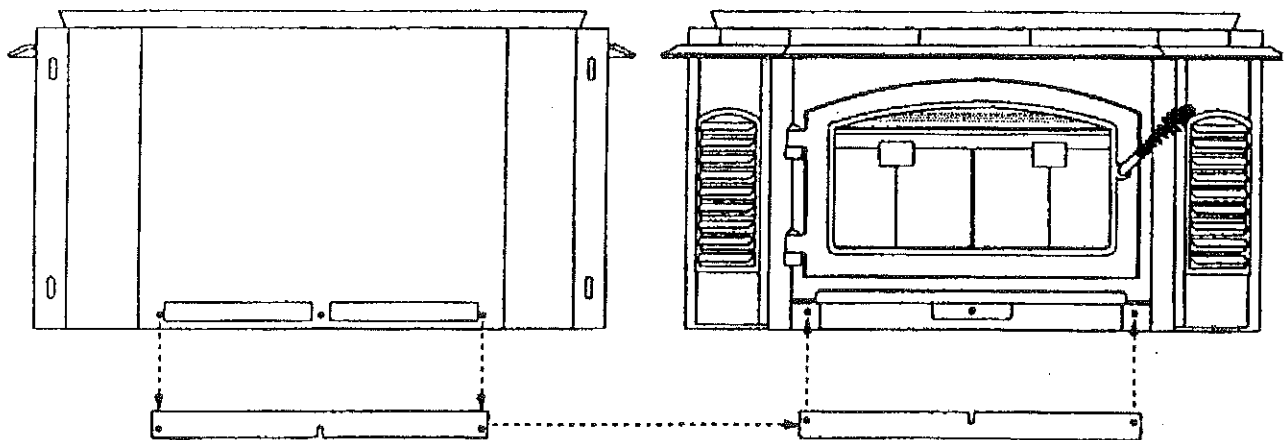
**Parts Supplied:**  
(2) Fan mounts/fan assemblies.  
(1) Speed control, power cord/wire assembly.  
(1 Set) Fan connector wires. (Must be high temp. wire.)  
(1) Strain relief.

1. Remove fan covers.
2. Install fan mounts to outer wall with panel mounting screws.
3. Feed fan and motor wires up through large hole in floor. **NOTE:** Power cord can be mounted on left or right side.
4. Connect white and black wires to fan motor terminals.
5. Feed #2 fan motor wires through smaller hole in bottom and across to #2 fan motor.
6. Install strain relief onto power cord.
7. Using a pair of pliers, squeeze strain relief and push through large hole in floor.
8. Plug in and test blower operation.
9. Replace screens. (Power cord comes out through opening in bottom of screen.)

**Steps for adjusting the blower speed control:**

1. With the unit plugged in turn the speed control knob to slow. (Full Clockwise.)
2. With a small screwdriver adjust the fan speed by turning the adjustment mechanism through the hole on the side of the speed control.
3. Adjust the speed so the fan runs slowly but does not stop. Turn clockwise to slow the fan and counterclockwise to increase the speed.

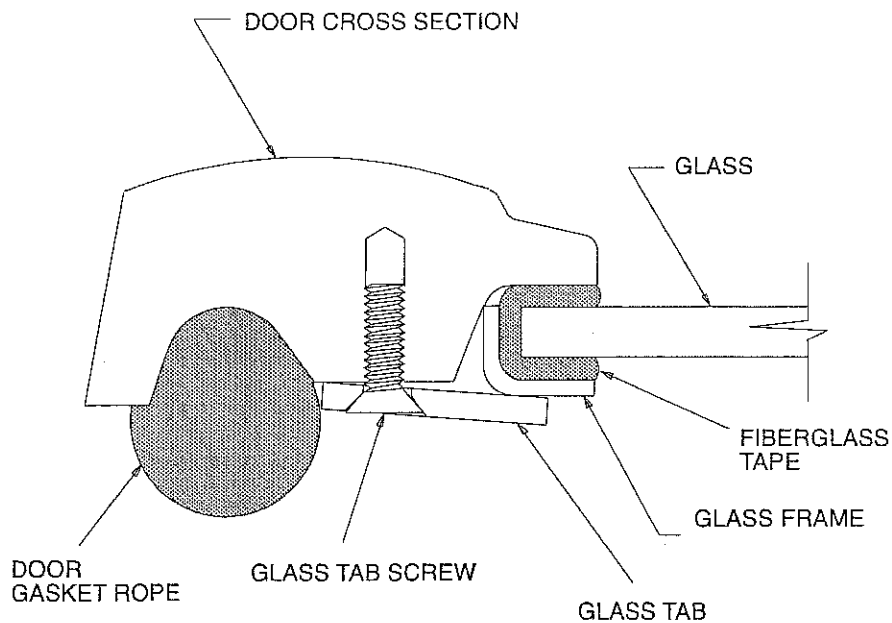
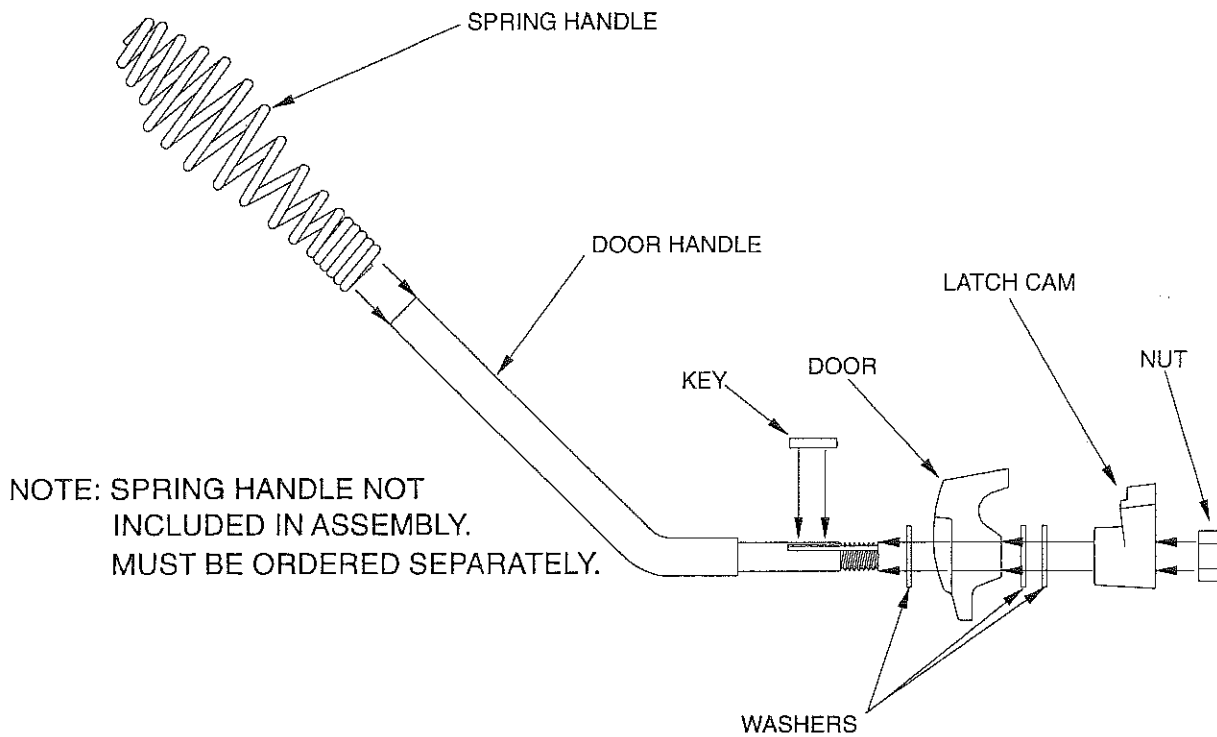
**For Outside Combustion Air**



**Tools Needed:**  
Phillips screwdriver

- I. Remove cover plate from back of stove.
- II. Turn cover plate over and screw it to the face. (Fireplace must have provision for outside air.)

### Door Handle Assembly

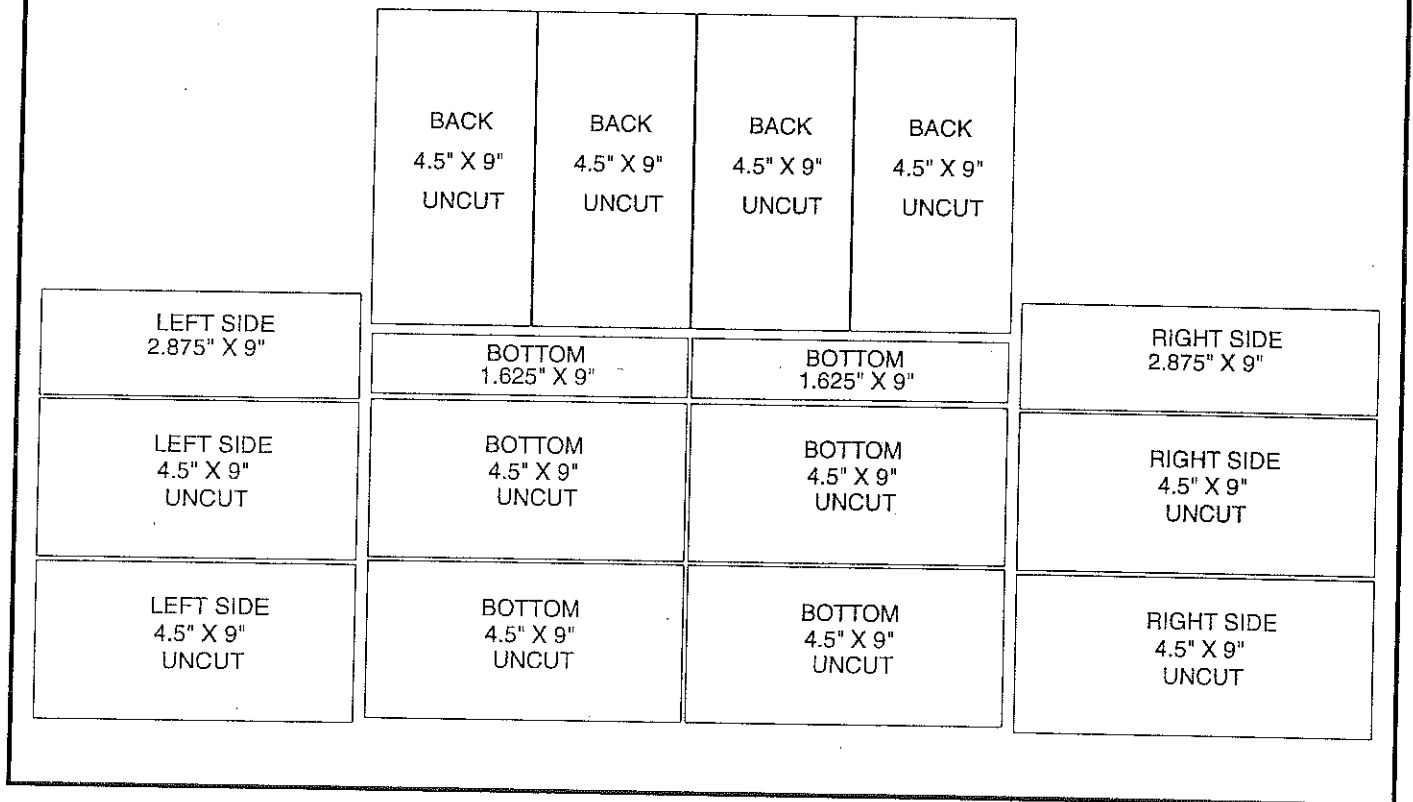


### Glass Replacement Instructions

1. Remove door from stove and lay on a padded flat surface.
2. Remove glass tabs and screws with a Phillips screwdriver. (Turn screws counterclockwise.)
3. Lift glass frame pieces and glass out of the door frame.
4. Lay new glass with fiberglass tape around it into door frame making sure the **Quadra-Fire** logo reads correctly to the outside.
5. Place glass frame pieces over the fiberglass tape on the edges of the glass. Be sure glass is centered in the opening (i.e. same space top and bottom, left and right).
6. Reinstall screws and glass tabs tightly enough to hold things in place.
7. Check again for centering of glass in door frame and give all screws a final tightening.

## Brick Pattern

Brick Set - Part #832-0790  
Single Whole Brick Part #832-0550



## MAINTENANCE INSTRUCTIONS

### CREOSOTE

- I. **Formation and need for removal** - When wood is burned slowly, it produces tar and other organic vapors which combine with expelled moisture to form creosote. The creosote vapors condense in the relatively cool chimney flue of a newly started fire or from a slow burning fire. As a result, creosote residue accumulates on the flue lining. When ignited, this creosote makes an extremely hot fire which may damage the chimney or even destroy the house. The chimney connector and chimney should be inspected at least twice monthly during the heating season to determine if a creosote build up has occurred. If creosote has accumulated, it should be removed to reduce the risk of a chimney fire.
- II. **Inspection and removal** - Inspect the system at the stove connection and at the chimney top. Cooler surfaces tend to build creosote deposits quicker, so it is important to check the chimney from the top as well as from the bottom. The creosote should be removed with a brush specifically designed for the type of chimney in use. A chimney sweep can perform this service. It is also recommended that before each heating season, the entire system be professionally inspected, and cleaned and repaired if necessary.

## IMPORTANT, PLEASE READ BEFORE USING STOVE

In recent years there has been an increasing concern about the quality of air. Much of the blame for poor air quality has been placed on the burning of wood for home heating. In order to improve the situation, we at **Quadra-Fire** have developed cleaner-burning woodstoves that surpass the requirements for emissions established by agencies governing air quality.

These woodstoves, like any other appliance, must be operated properly in order to insure that they perform the way they should. Improper operation can turn any woodstove into a smoldering environmental hazard.

It helps to know a little about the actual process of burning in order to understand what goes on inside a stove. The first stage of burning we will call the **Kindling Stage**. This is when the wood is initially heated to a high enough temperature to evaporate the moisture which is found in all wood. The fuel will reach the boiling temperature of water (212° F) and will not get any hotter until the water is evaporated. This process takes heat from the coals and tends to cool the stove. Fire requires three things: Fuel, Air and Heat. So if heat is robbed from the stove during the drying stage, the new load of wood has reduced the chance for a good clean burn. For this reason it is always best to burn dry seasoned firewood. This isn't always possible. Sometimes the wood isn't dry, so you must open the control and burn the stove at the high burn setting for a longer time to start the wood burning. Pushing the air control in, opens it.

The next stage of burning, the **Secondary Stage**, is the period when the wood gives off flammable gases which burn above the fuel with bright flames. During this stage of burning it is most important that the flames be maintained and not allowed to go out. This will insure the cleanest possible fire. If you are adjusting your stove for a low burn rate, you should close down the air to the point where you can still maintain some flame. If the flames tend to go out, the stove is set too low for your burning condition.

The final stage of burning is the **Charcoal Stage**. This happens when the flammable gases have been mostly burned and the charcoal remains. This is a naturally clean portion of the burn. The coals burn with hot blue flames. It is very important to reload your stove while enough lively hot coals remain in order to provide the amount of heat needed to dry and rekindle the next load of wood. It is best to open the control for a short while before reloading. This livens up the coalbed. You should also break up any large chunks and distribute the coals so that the new wood is laid on hot coals.

Air quality is important to all of us and if we choose to use wood to heat our homes, we should do so responsibly. To do this we need to learn to burn our stoves in the cleanest possible way. Doing this will allow us to continue using our woodstoves for many years to come.

### COMBUSTION AIR SYSTEM

The combustion air enters at the upper front of the firebox near the top of the glass door. This pre-heated air supplies the necessary fresh oxygen to keep the wood burning and mix with the unburned gases, helping to create secondary, tertiary and quaternary combustions. This air is regulated by the push rod beneath the ash catcher. For more combustion air, push the rod in. For less combustion air, pull the rod out.

### QUADRA-FIRE 1800-I FAN OPERATING INSTRUCTIONS

If your **Quadra-Fire** insert is equipped with a fan, you should follow these guidelines:

1. **Initial (Cold) Startup:** Leave fan off until your insert is hot and a good coalbed has been established. The fan may be turned on approximately 30 minutes after loading the unit with fuel.
2. **High Burn Setting:** The fan should be left off until a good burn is established, normally 5 minutes.
3. **Medium Burn Setting:** The fan should be left off until a good burn is established, normally 30 minutes.
4. **Low burn Setting:** The fan should be left off until a good burn is established, normally 30 minutes.

### OPERATING TIPS

Here are a few tips on operating your **Quadra-Fire** stove to obtain the most efficiency with lowest emissions.

1. Regardless of desired heat output, when loading stove, burn your **Quadra-Fire** with the air controls wide open for a minimum of 15 minutes.
2. Regulate burn rate (heat output) by adjusting the combustion control (center, under ash catcher).
3. Heat output setting: Following 15 minute controls open (see #1).
4. **Do Not Burn With Fuel Door Open.**

**Heat Output**

Low Burn  
 Medium Low Burn  
 Medium High Burn  
 High Burn

**Combustion Air Control**

Pull To Stop  
 Pull To Stop, Then Push 1/4" - 1/2" Open  
 Pull To Stop, Then Push 1/2" - 3/4" Open  
 Push Full Open

**NOTE:** Caution - If any part of the insert starts to glow, you are in an overfire situation - Close Air Control. **OVERFIRING VOIDS WARRANTY**

## SUMMARY OF OPERATING INSTRUCTIONS

Aladdin Steel Products is deeply concerned with the air quality in your community. In order to maintain clean air, it is very important to burn your woodstove in the most efficient manner possible. Following these guidelines will ensure environment-friendly operation.

### OPACITY

This is the measure of how clean your stove is burning. Opacity is measured in percent. 100% opacity is when an object is totally obscured by the smoke column from a chimney, a 0% opacity means that no smoke column can be seen. As you become familiar with your stove, you should periodically check the opacity. This will allow you to know how to burn your stove as smoke-free as possible.

### WOOD

Burn only dry seasoned wood. Store wood under cover, out of the rain and snow.

### HIGH BURN RATE

Open (push in) the air control fully. It is important to do this when reloading the stove. Failure to do this could result in excessive emissions (opacity).

### MEDIUM BURN RATE

After a wood load had been burning on high for at least 15 minutes (longer for very large pieces or wet wood), close (pull out) the control to the desired setting.

### LOW BURN RATE

After a wood load has been burning on high for at least 15 minutes (longer for very large pieces or wet wood), close (pull out) the control gradually making sure to **Maintain Flames** in the stove. It is very important to maintain flames in your stove during the first few hours of a low burn to avoid excessive air pollution.

## BEFORE YOUR FIRST FIRE

Check to see that the baffle is pushed to the rear of the stove and sitting on baffle supports. Make sure insulation blanket is in its proper location and laying flat at front of baffle.

## BUILDING A FIRE

There are many ways to build a fire. The basic principle is to light easily ignitable tinder or paper, which ignites the fast-burning kindling, which in turn ignites the slow-burning firewood. Here is one method that works well:

1. Place several wads of crushed paper on the firebox floor.
2. Lay small dry sticks of kindling on top.
3. Open combustion air control fully.

4. Make sure that no matches or other combustible are in the immediate area of the stove. Be sure the room is adequately ventilated and the flue is unobstructed.
5. Light the waded paper in the stove, **NEVER** light or rekindle stove with kerosene, gasoline, or charcoal lighter fluid. Results can be fatal.
6. Once the kindling is burning quickly, add several full length logs three or four inches in diameter. Be careful not to smother the fire. Stack the pieces of wood carefully -- near enough to keep each other hot, but far enough away to allow adequate air flow between them.
7. When ready to reload the stove, add more logs. Large logs burn slowly, holding a fire longer. Small logs burn fast and hot, giving quick heat.
8. Adjust the combustion air control. The more you close down the control, the lower and slower the fire will burn. The more open the control is, the more heat will be produced. As long as there are hot coals, repeating steps seven and eight will maintain a continuous fire throughout the season.

**NOTE:** The special high temperature paint that your stove is finished with will cure as your stove heats. You will notice an odor and perhaps see some vapor rise from the stove surface. This is normal. We recommend that you open a window until the odor dissipates and the paint is cured.

## CARE AND CLEANING OF GLASS

**Quadra-Fire** stoves are equipped with clear ceramic super heat resistant glass which can only be broken by impact or misuse. Do not slam stove door or impact the glass. When closing the door, make sure that logs do not protrude against glass.

Clean glass with any non-abrasive glass cleaner available from your **Quadra-Fire** dealer. Abrasive cleaners may scratch and cause the glass to crack.

Inspect the glass regularly. If you find a crack or break, immediately put the fire out and return the door to your dealer for replacement of glass before further use. Do not substitute materials for glass replacement.

## CARE AND CLEANING OF PLATED SURFACES

Clean 24K gold-plated surfaces with warm soapy water before lighting the first fire. Polishes with abrasive agent will scratch the finish.

## CHIMNEY CLEANING

**NOTE:** Disconnect flue pipe from stove before cleaning chimney.

## ASH REMOVAL

Remove cold ashes (never hot) from the stove by shoveling them into a metal container with a tight-fitting lid. Always treat ashes as if they contain hot coals and store the container in a non-combustible floor away from combustible material pending final disposal.

## FIREBRICK

The firebox of the **Quadra-Fire** stove is lined with high-quality firebrick which has exceptional insulating properties. There is no need for a grate. Simply build the fire on the brick floor of your stove.

## OVERFIRING

Do not overfire your stove. Using flammable liquids or too much wood, or burning trash in the stove, may result in overfiring. If the chimney connector or stove glows red or white, the stove is overfired. This condition may ignite creosote in the chimney, possibly causing a house fire.

If you overfire, immediately close the air control and door, if open, to reduce the air supply to the fire.

## WOOD SELECTION AND STORAGE

Dry and well-seasoned wood will not only minimize the chance of creosote formation but also will give you the most efficient fire. Even dry wood contains 15% moisture by weight and should be burned hot enough to keep the chimney hot for as long as it takes to dry the wood being burned. It is a waste of energy to burn unseasoned wood of any kind.

Dead wood lying on the forest floor should be considered wet and requires full seasoning time. Standing wood can be considered 2/3 seasoned. To tell if wood is dry enough to burn, check the ends of the logs. If there are cracks radiating in all directions for the center, it's dry. If your wood sizzles in the fire, even though the surface is dry, it may not be fully cured. Splitting of wood before it is stored reduces drying time. Wood should be stacked so that both ends of each piece are exposed to the air, if space is available, since more drying occurs through the cut ends than through the sides. This is true even with wood that has been split. Store wood under cover, such as in a shed, or covered with a tarp, plastic, tarpaper, sheets of scrap plywood, etc.

## ACCESSORIES & REPLACEMENT PARTS

### Accessory Parts

831-0660	Trim Accent Ring For Door
831-0730	Mantel Deflector
831-1220	Blower Assembly
831-0980	Panel & Trim, Standard
831-0990	Panel & Trim, Oversized
831-1190	Screens Fan Covers, Black
831-1200	Screens Fan Covers, Gold
831-1210	Louvered Fan Cover Screens
831-1060	Zero Clearance Panel Extension, Standard
831-1070	Zero Clearance Panel Extension, Oversized
831-1080	Zero Clearance Panel Trim, 2 pcs

### Replacement Parts

832-0590	Door Handle Assembly
832-0690	Baffle
832-0700	Kaowool Blanket
832-0710	Door Assembly, Gold
832-0720	Door Assembly, Black
832-0740	Replacement Glass
832-0790	Firebrick Set
832-1130	Manifold Tube, Front
832-1120	Manifold Tube, Back

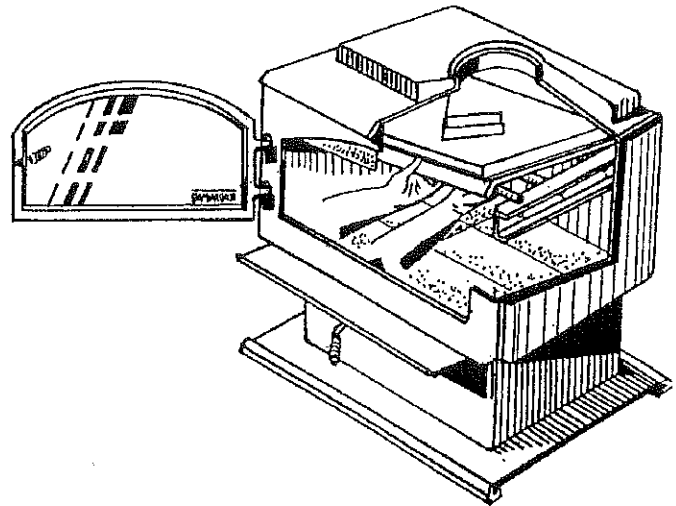
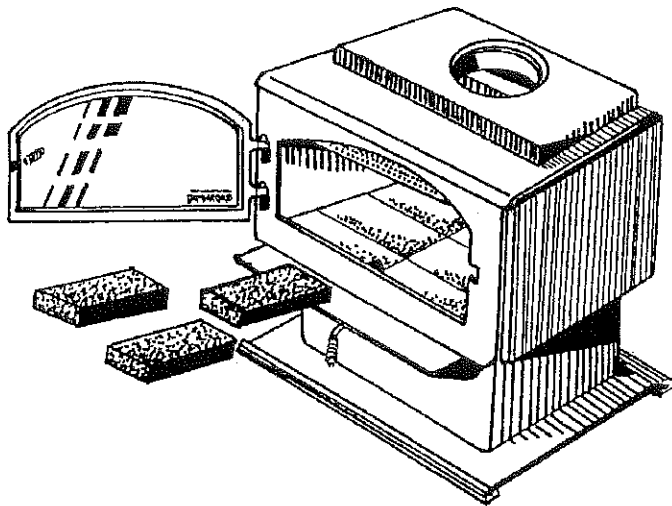
**USE ONLY GENUINE QUADRA-FIRE REPLACEMENT  
PARTS AND ACCESSORIES**

## Baffle Removal & Installation for Model 1800-I

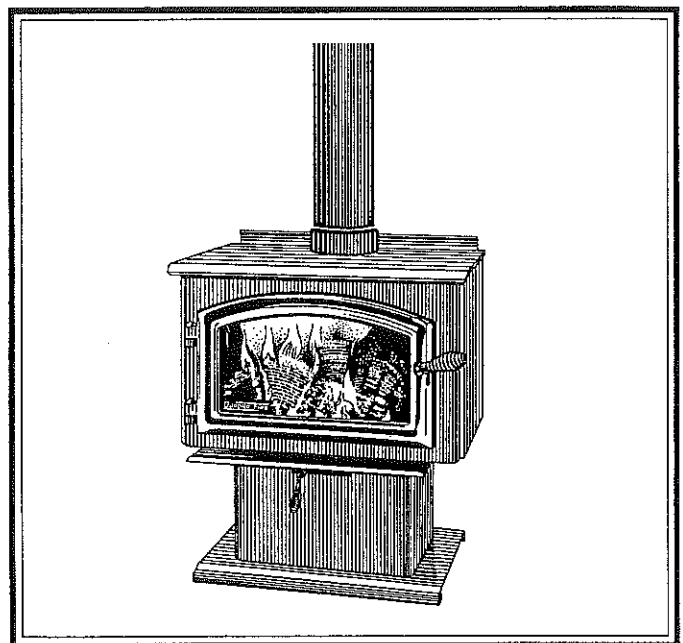
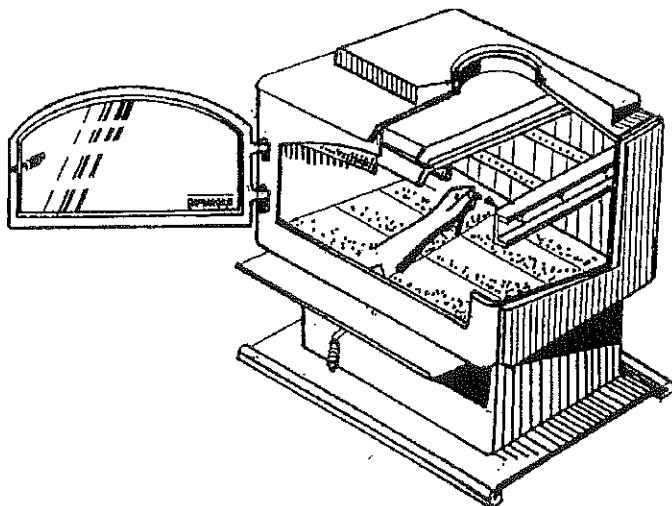
**NOTE:** Baffles in Quadra-Fire stoves are heavy. The 1800 Baffle weighs 25-lbs. Moving the baffle around inside the stove takes strength and patience. Removing hardware exposed to combustion processes can be frustrating. If your reason for removing the baffle is simply to clean the chimney you have alternatives that will save time and effort. Read instructions thoroughly before proceeding.

1. Remove all ash from the Firebox and extinguish all hot embers before disposal.
2. Remove the Firebrick from the sides of the stove.
4. To remove the Secondary Combustion Tubes, slide them to one side until one end is out of its hole. Then, while lifting that end of the baffle plate, pull the tube up over the Secondary Air Channel and out of the hole at its other end.

**Note:** The Front and Rear Secondary Tubes differ. A mark on the tube and the Manifold will insure they are replaced correctly.

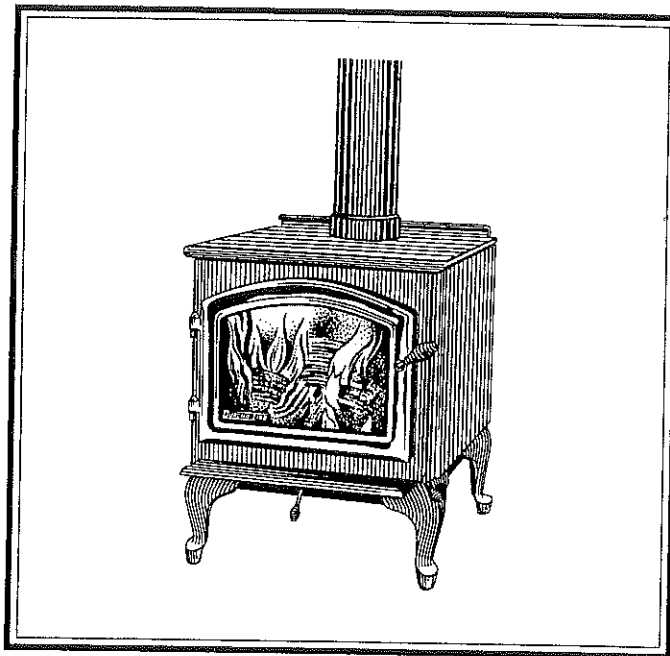
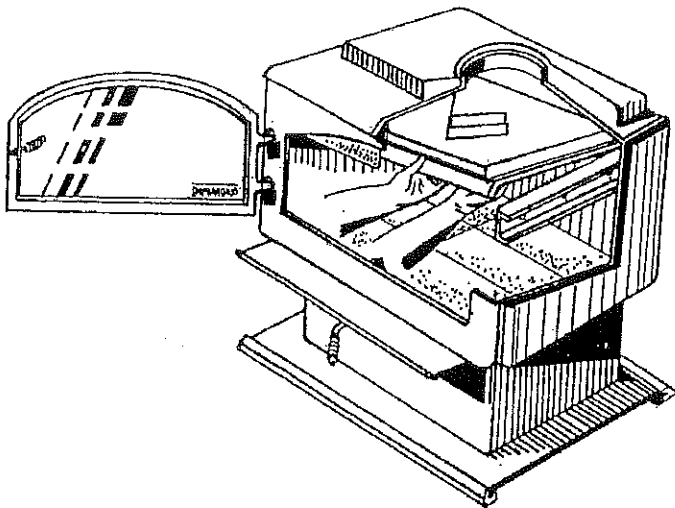


3. With a 3/16" Allen Wrench, remove the Secondary Combustion Tube Retainer Bolts on the Secondary Air Channel under the end of each tube. Note: Soak the bolts with penetrating oil at least 15 minutes before removal.

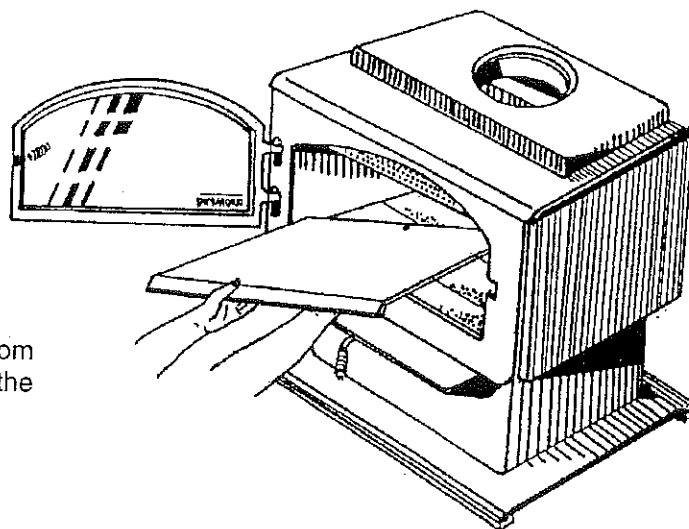


## Baffle Removal & Installation for Model 1800-I (continued)

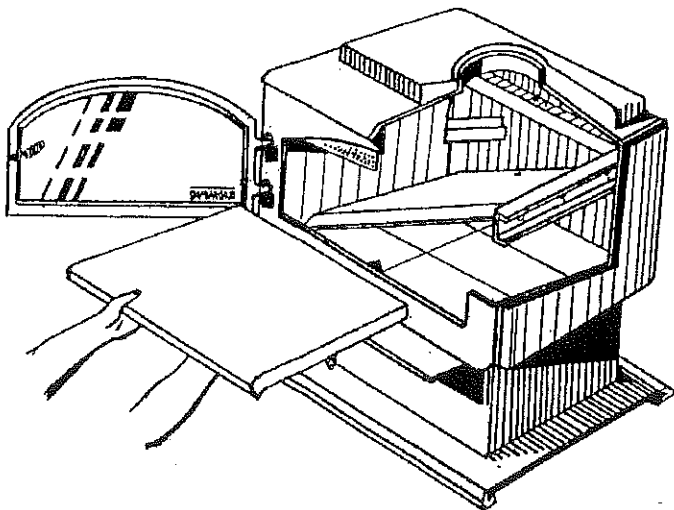
5. To remove the Baffle Plate, use both hands to lift it from the alignment pin at the center rear. Then tilt it as you slide it to one side until the other side clears the shelf.



7. Keep the Baffle tilted as you lift it out the door.

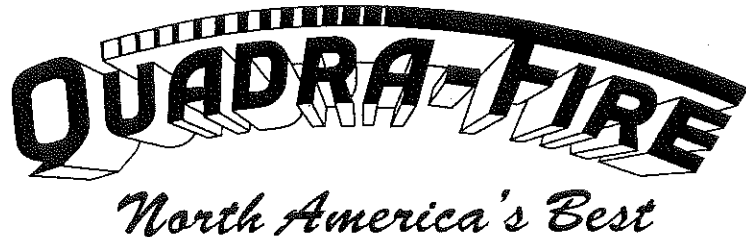


6. With one end of the Baffle resting on the bottom firebricks and the other end against the side of the Firebox, remove the Kaowool blanket.



8. To replace the Baffle, reverse Steps 1 through 7. Be sure the stainless steel extension of the flame spreader is in place and resting on the Kaowool blanket. Be sure the hole in the rear of the Baffle is on the alignment pin.

**ALADDIN**  
ALADDIN STEEL PRODUCTS, INC.



**ALADDIN STEEL PRODUCTS, INC.  
LIMITED WARRANTY**

Aladdin Steel Products, Inc., warrants the **QUADRA-FIRE 1800** model against defects in materials or workmanship (except optional electrical component parts) for a period of five (5) years following the date of retail purchase. Optional electrical components parts are warranted against defects in materials or workmanship for a period of one (1) year following the date of retail purchase. Proof of purchase is required to secure warranty. To secure this warranty, the purchaser must return the warranty card within ten (10) days of the purchase to:

**Aladdin Steel Products, Inc.  
401 North Wynne  
Colville, WA. 99114**

The manufacturer is responsible only for repair or replacement of the defective part and may request that the purchaser ship the part to the manufacturer or authorized repair facility in your state. Warranty claims should be made to the manufacturer through your authorized dealer. The manufacture is not responsible for special, incidental or consequential damage.

Misusing or altering the stove or optional electrical component parts **VOIDS** this warranty. This included but is not limited to, using other than recommended fuels, overheating, and any alterations or modifications.

This warranty does not cover freight, glass, paint, plated surfaces, gaskets or firebrick.



**ALADDIN STEEL PRODUCTS, INC.**

**401 N. WYNNE**

**COLVILLE, WASHINGTON 99114**